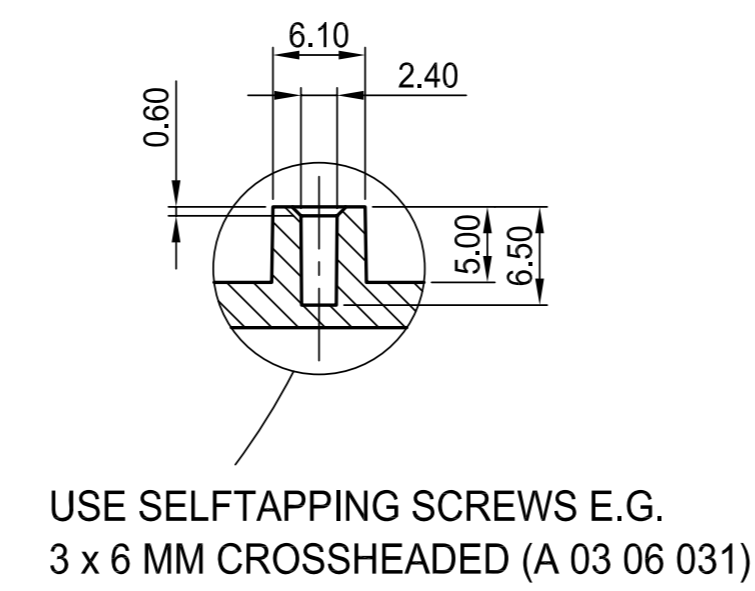
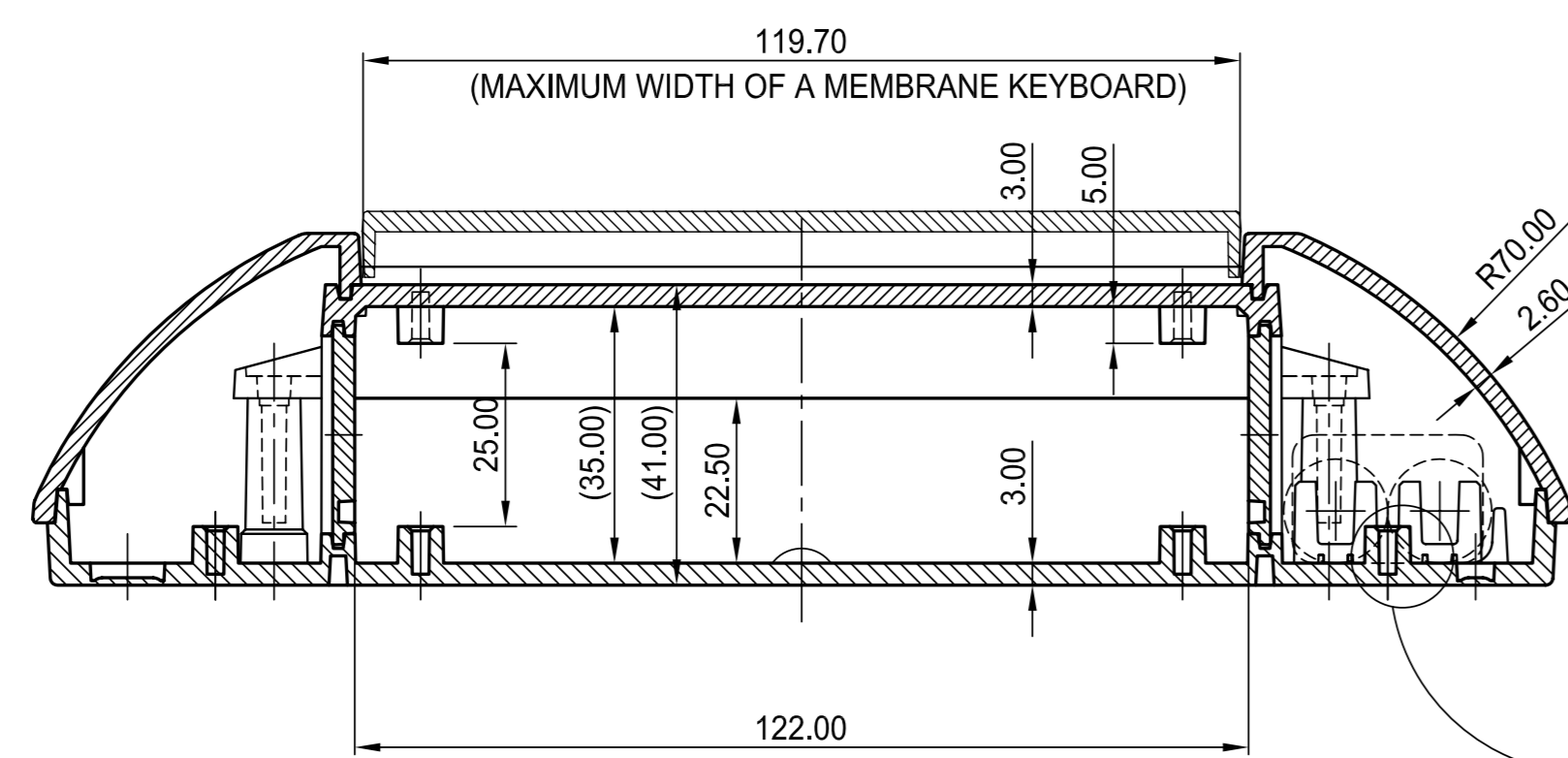
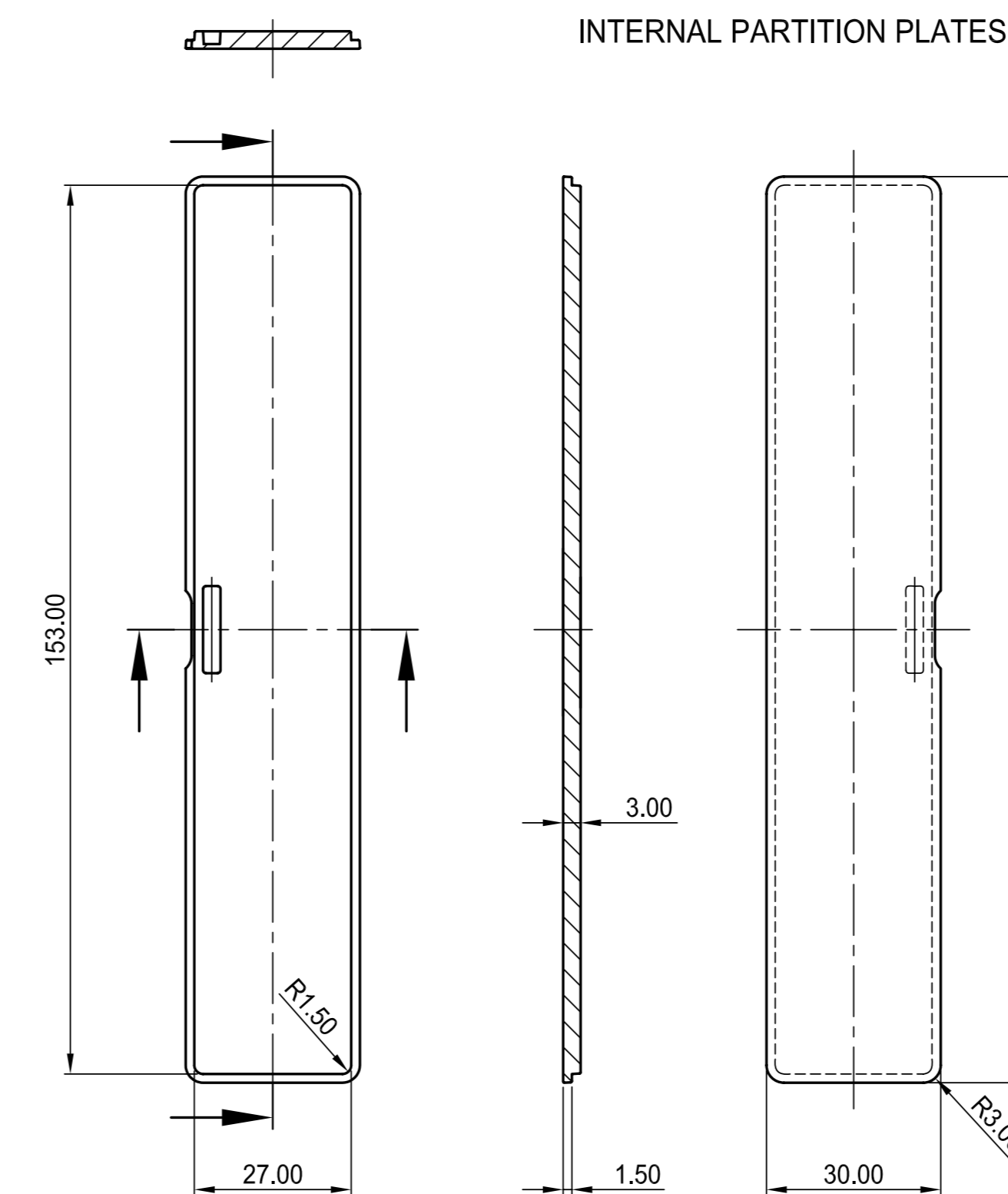


FIXING ELEMENTS FOR THE SNAP MECHANISM

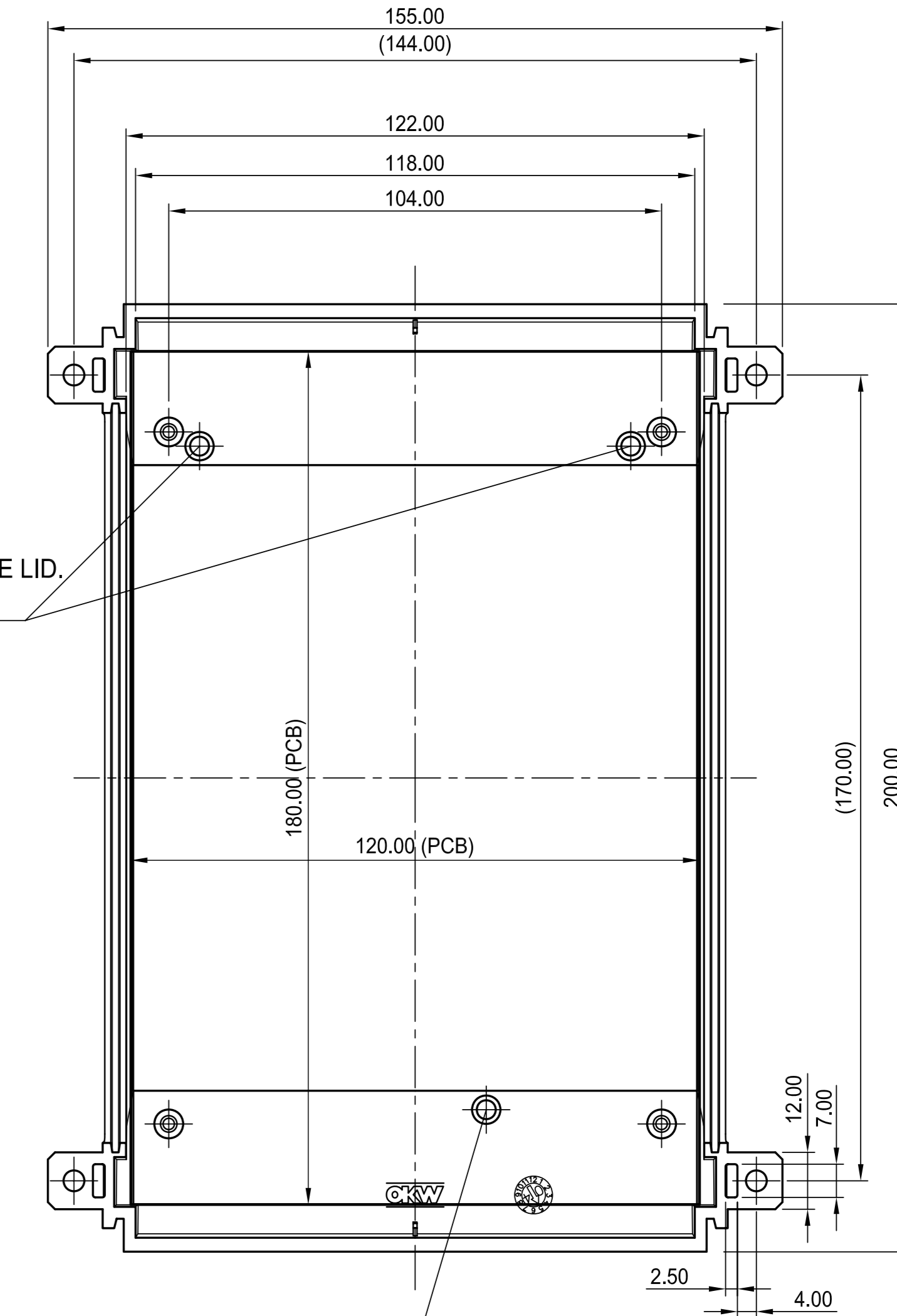
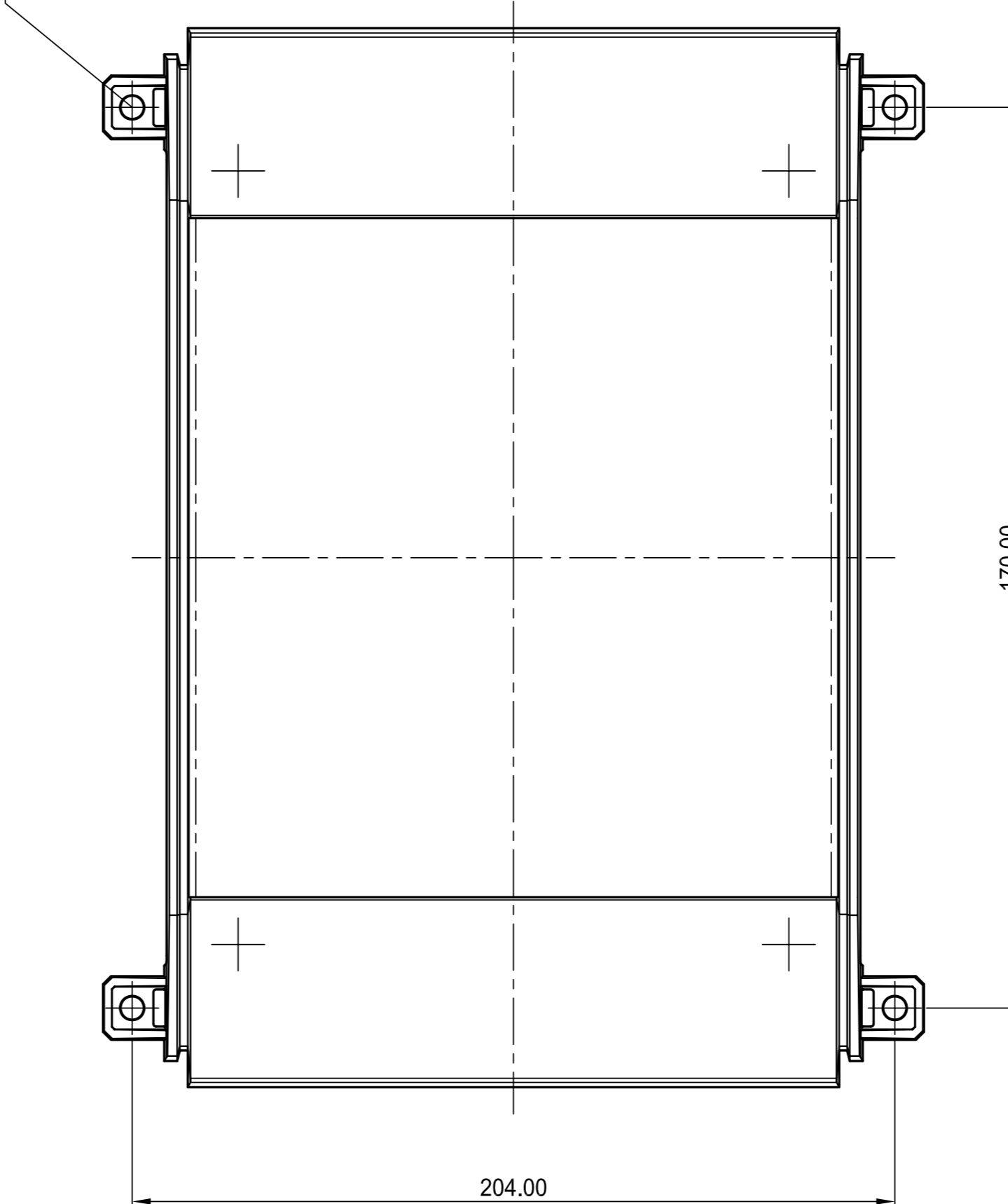


USE SELFTAPPING SCREWS E.G. 3 x 6 MM CROSSHEADED (A 03 06 031)



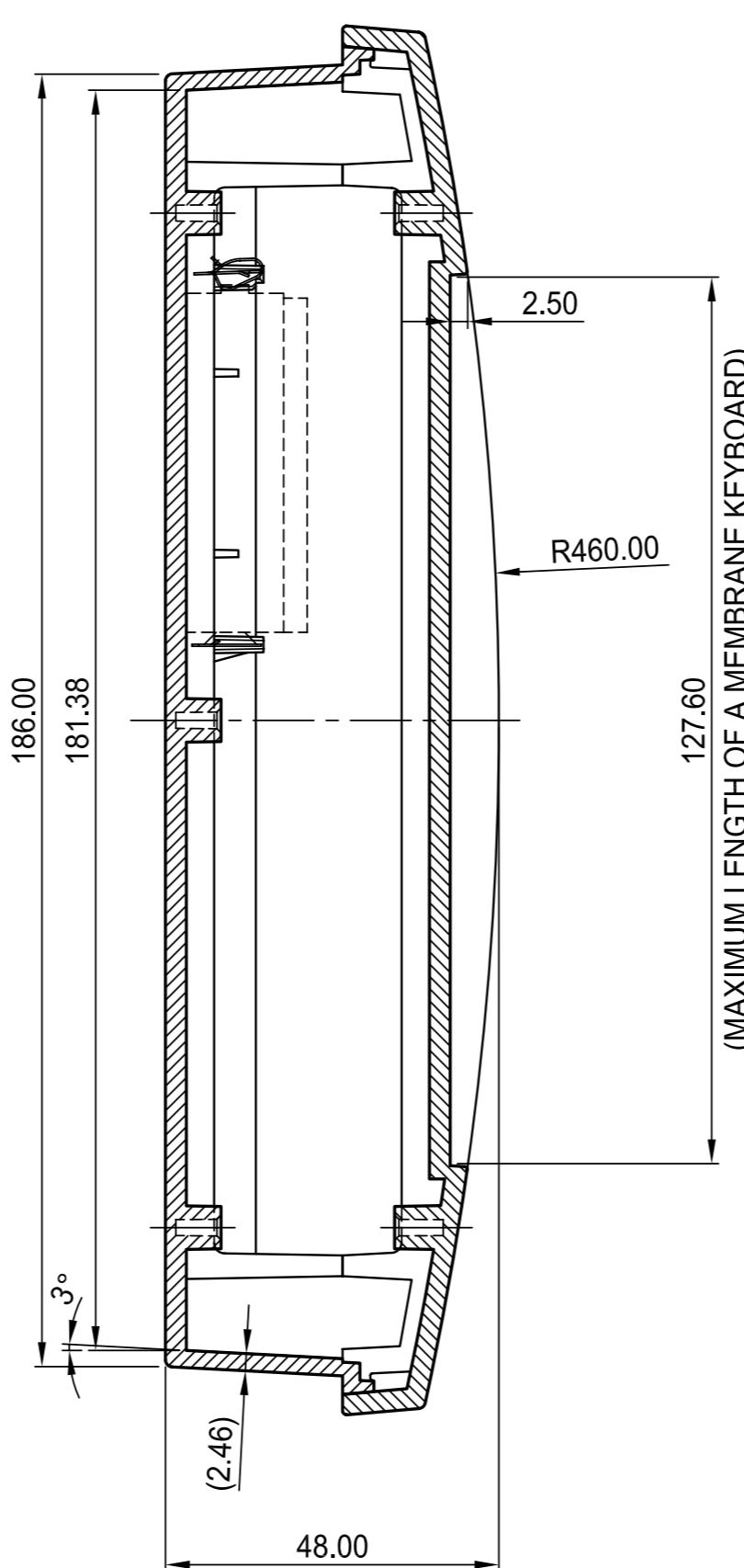
INTERNAL PARTITION PLATES

4 SELFTAPPING SCREWS 4 x 16 MM CROSSHEADED COME WITH THE ASSEMBLY KIT

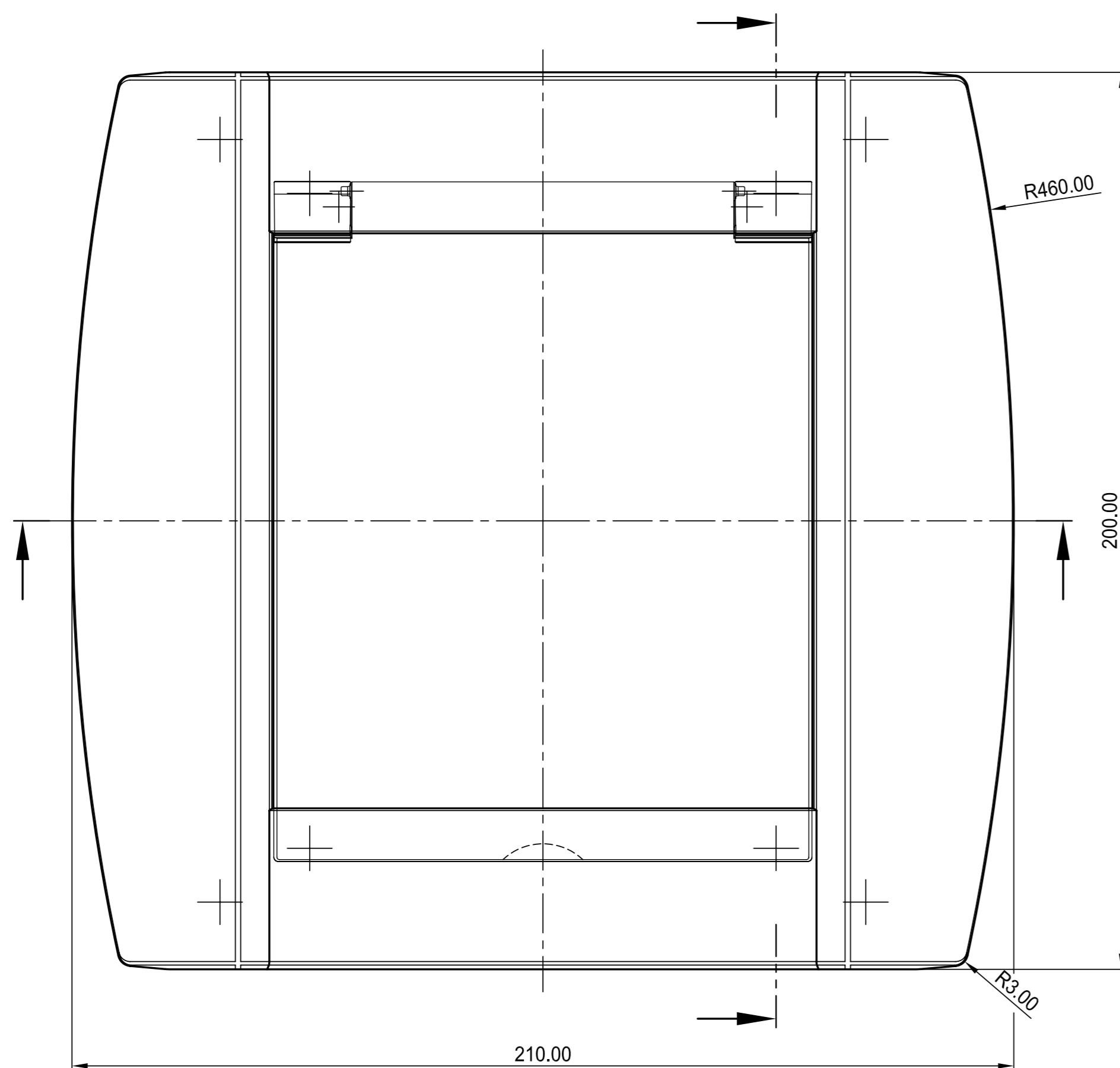


PREMOLDED HOLES FOR FASTENING THE HINGES OF THE LID. TO BORE UP WITH D 4.2

PREMOLDED HOLES FOR FIXING THE HINGED LID. TO BORE UP WITH D 4.0. USE BUSH OF BRASS M3 x 4 (AS 03 69 15) AND A SCREW M3 x 8 (AS 05 07 47)

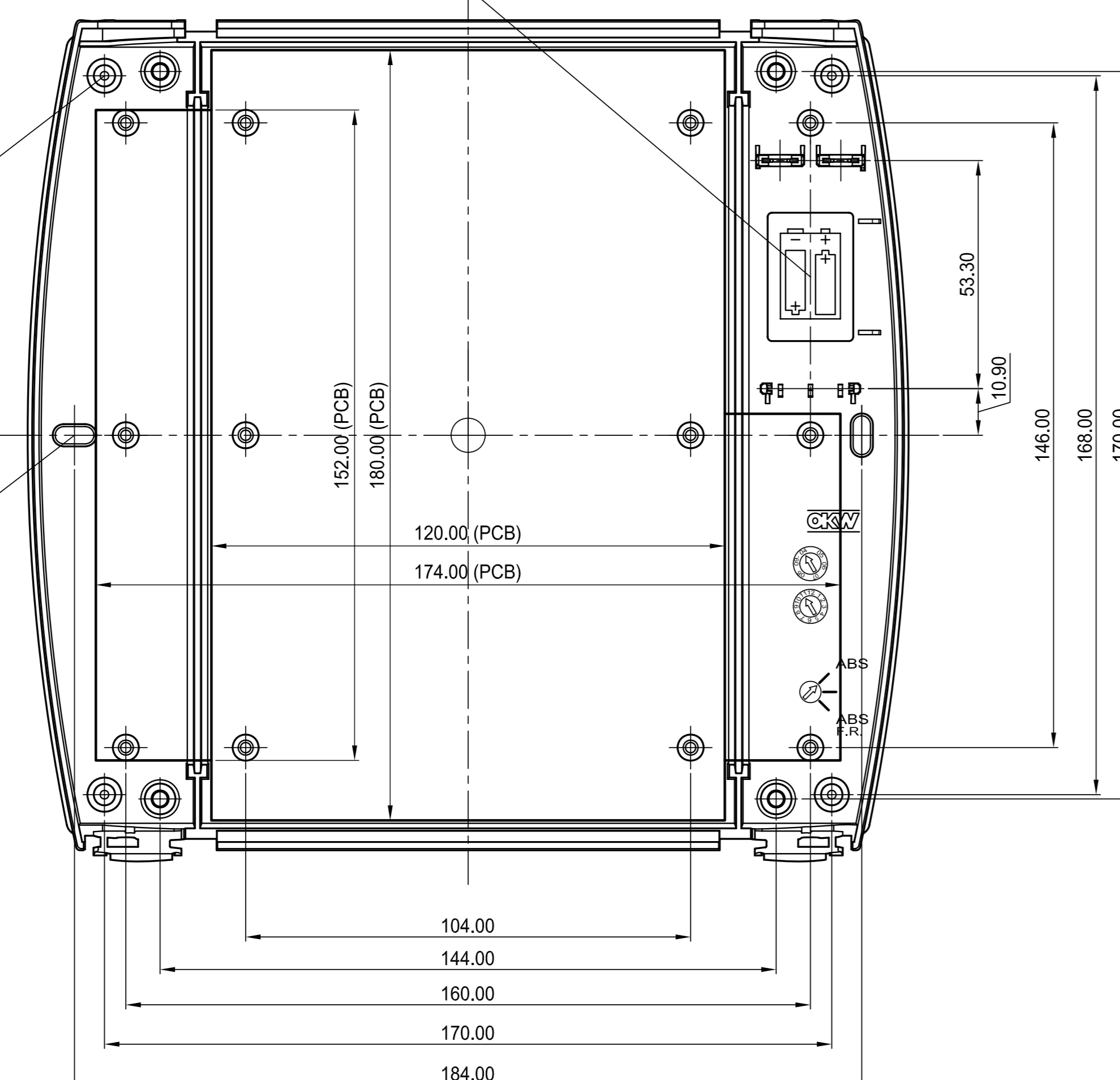


(MAXIMUM LENGTH OF A MEMBRANE KEYBOARD)



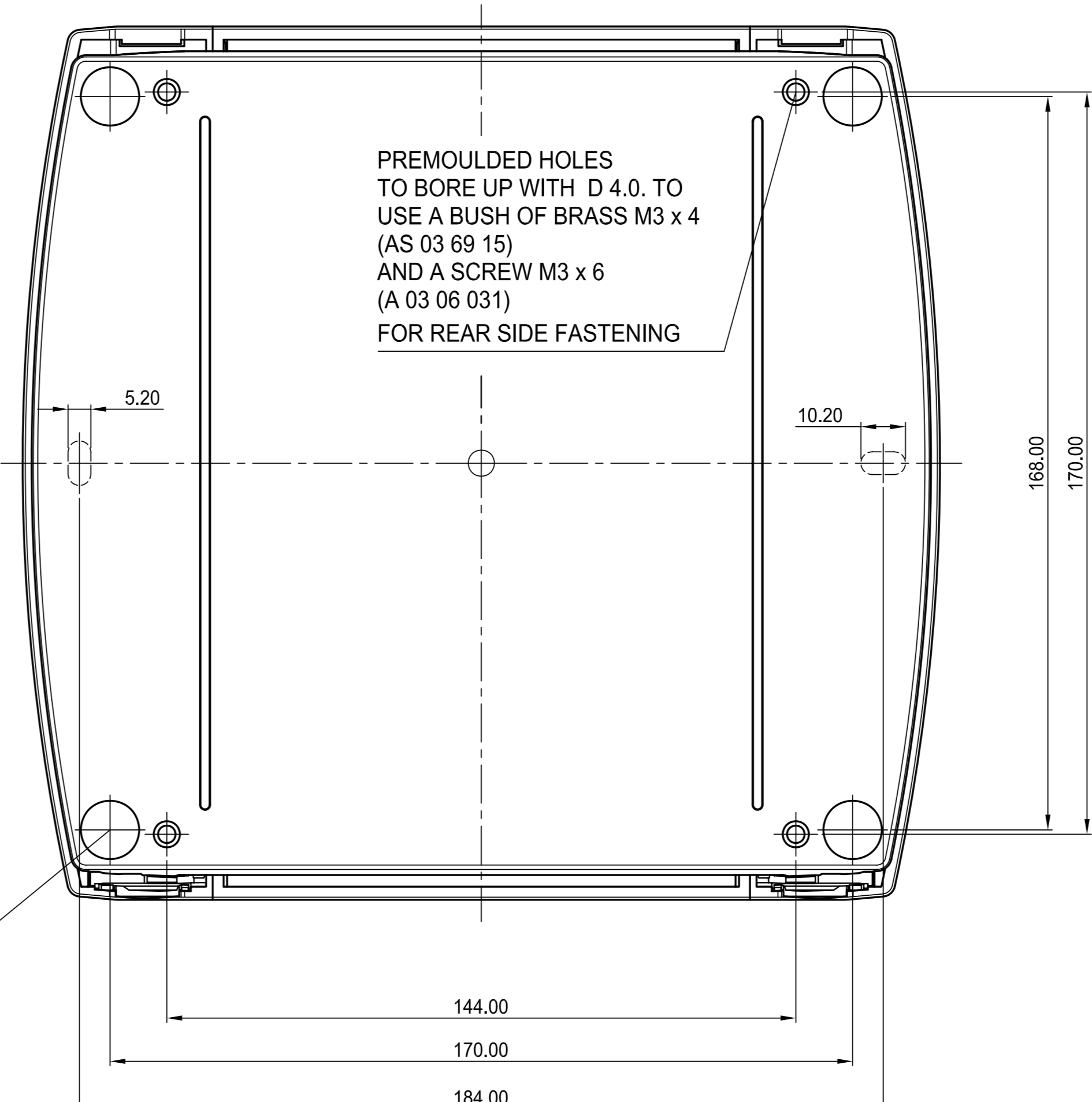
119.70 (MAXIMUM WIDTH OF A MEMBRANE KEYBOARD)

SET OF BATTERY CLIPS FOR TWO 1.5V AA-ROUND-CELLS (A 91 90 002) PLUG IN CONTACT FOR ONE 9V FLAT-BATTERY (A 91 60 003)



USE COUNTER SUNK SCREWS (E.G. SPAX)

USE SCREWS ACC. TO DIN 7981 (E.G. 4.2 or 4.8 x 25 MM)



PREMOLDED HOLES TO BORE UP WITH D 4.0. TO USE A BUSH OF BRASS M3 x 4 (AS 03 69 15) AND A SCREW M3 x 6 (A 03 06 031) FOR REAR SIDE FASTENING

USE RUBBER FEET E.G. D12 x 3.8 MM (A 92 12 330)

Z (PZ1) Informationskopie wird nicht aktualisiert Copy for Information will not be updated Tech. Änderungen vorbehalten. Irrtümer und Druckfehler begünstigen keinen Anspruch auf Entschädigung. Weitere Einzelheiten bitte direkt mit dem aktuellen Produkt abstimmen. Subject to technical modification without prior notice. Typographical and other errors do not justify any claim for damages. All dimensions should be verified using an actual moulded part. Sous réserve de modifications techniques. Toute erreur ou faute d'impression ne justifie aucune demande d'indemnisation. Nous prions les clients de vérifier les dimensions des composants avec les modèles éventuels.		Zeichnungspunkt 02020 Maßstab: 1:1	Material: ABS Farbe: RAL 7024 Zeichnung: 02020	Hersteller: GEHÄUSE SYSTEME DiATEC S COMPLETE ENCLOSURE A9093** DiATEC S COMPLETE ENCLOSURE A9093**	Blatt: 1 Gesamtanzahl Blätter: 1
---	--	---	---	--	---