

## THE PRODUCT

The fast and simple locking capability onto standardized rails complying with DIN EN 60 715 TH35 characterises the RAILTEC B family of cases.

Different top parts make the case into a versatile and rational connection system.

When using terminals, the individual conductors can be connected and disconnected while the case is closed.

The connector lead avoids wiring faults when devices are exchanged during regular servicing.

## YOUR ADVANTAGE

6 sizes following DIN 43 880, unit 1.

Different termination options each for commercial components like

- terminals
- PCB plug headers
- front connectors

Optionally 1 or 2 connection levels for case version VI; individual configuration with system components – according to need. Terminal guards in the higher versions give more room in the enclosures and a bigger surface to mill for bigger terminals.

Without/with ventilation slots for good heat removal.

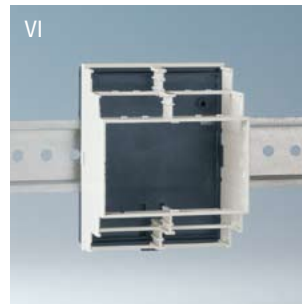
Flexible assembly. PCB positioning in all 3 directions: Base part with fixing pillars, top parts with guiding ridges.

Transparent lid protects display and operation elements.

Locking clip preassembled in base part.

## APPLICATIONS

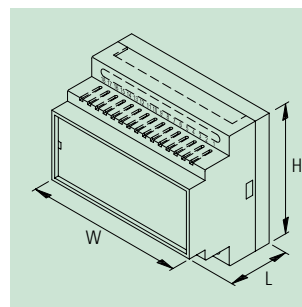
Universal use as installation case. Fully insulated and protected according to VBG4 as well as IEC 529/ DIN VDE 0470-1. Corresponding to the regulations of the machine-building and motorcar industry. Especially for the control techniques.



Two colored

Top  
(terminal guards & partition  
plate of case version VI)  
Light gray, RAL 7035

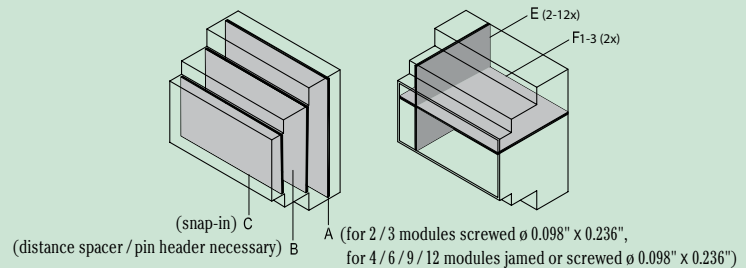
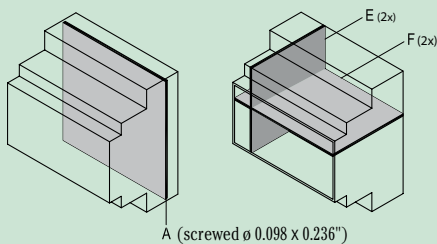
Base, clip  
Black, RAL 9005



## ENCLOSURES\*1

RAILTEC B	Outside dim. in inches			Version / Equipment		without ventilation slots	with ventilation slots
	W	H	L	termination options			
2 modules	1.378	3.386	2.283	I	terminal blocks 0.197"/0.2" (10 terminals max.)	B 65 01 111	B 65 01 114
	1.378	3.386	2.283	II	plug header 0.197"/0.2" (2 x 5 poles)	B 65 01 112	B 65 01 115
	1.378	3.386	2.283	III	closed case, e.g. for front connectors, SUB-D-connectors, etc.	B 65 01 113	B 65 01 116
	1.378	3.386	2.283	IV	terminal blocks 0.197"/0.2" (5 terminals max., at the bottom only)	B 65 01 117	B 65 01 118
	1.378	3.386	2.283	V	perforation*2 for max. 10 terminal blocks or 2 plug headers 5 poles	B 65 01 110	B 65 01 119
	1.378	3.543	2.283	VI	individual configuration see accessories (terminal guards / partition plate)	B 65 01 121	
3 modules	2.047	3.543	2.283	VI	individual configuration see accessories (terminal guards / partition plate)	B 65 02 121	
4 modules	2.756	3.386	2.283	I	terminal blocks 0.197"/0.2" (24 terminals max.)	B 65 03 111	B 65 03 114
	2.756	3.386	2.283	II	plug header 0.197"/0.2" (2 x 12 poles)	B 65 03 112	B 65 03 115
	2.756	3.386	2.283	III	closed case, e.g. for front connectors, SUB-D-connectors, etc.	B 65 03 113	B 65 03 116
	2.756	3.386	2.283	IV	terminal blocks 0.197"/0.2" (12 terminals max., at the bottom only)	B 65 03 117	B 65 03 118
	2.756	3.386	2.283	V	perforation*2 for max. 24 terminal blocks or 2 plug headers 12 poles	B 65 03 110	B 65 03 119
	2.756	3.543	2.283	VI	individual configuration see accessories (terminal guards / partition plate)	B 65 03 121	
6 modules	4.134	3.386	2.303	I	terminal blocks 0.197"/0.2" (36 terminals max.)	B 65 04 111	B 65 04 114
	4.134	3.386	2.303	II	plug header 0.197"/0.2" (2 x 18 poles)	B 65 04 112	B 65 04 115
	4.134	3.386	2.303	III	closed case, e.g. for front connectors, SUB-D-connectors, etc.	B 65 04 113	B 65 04 116
	4.134	3.386	2.303	IV	terminal blocks 0.197"/0.2" (18 terminals max., at the bottom only)	B 65 04 117	B 65 04 118
	4.134	3.386	2.303	V	perforation*2 for max. 36 terminal blocks or 2 plug headers 18 poles	B 65 04 110	B 65 04 119
	4.134	3.543	2.283	VI	individual configuration see accessories (terminal guards / partition plate)	B 65 04 121	
9 modules	6.181	3.386	2.303	I	terminal blocks 0.197"/0.2" (52 terminals max.)	B 65 05 111	B 65 05 114
	6.181	3.386	2.303	II	plug header 0.197"/0.2" (4 x 13 poles)	B 65 05 112	B 65 05 115
	6.181	3.386	2.303	III	closed case, e.g. for front connectors, SUB-D-connectors, etc.	B 65 05 113	B 65 05 116
	6.181	3.386	2.303	IV	terminal blocks 0.197"/0.2" (26 terminals max., at the bottom only)	B 65 05 117	B 65 05 118
	6.181	3.386	2.303	V	perforation*2 for max. 52 terminal blocks or 4 plug headers 13 poles	B 65 05 110	B 65 05 119
	6.181	3.543	2.303	VI	individual configuration see accessories (terminal guards / partition plate)	B 65 05 121	
12 modules	8.268	3.543	2.303	I	terminal block 0.197"/0.2" (64 terminals max.)	B 65 06 111	B 65 06 114
	8.268	3.543	2.303	II	plug header 0.197"/0.2" (4 x 8 poles and 4 x 7 poles)	B 65 06 112	B 65 06 115
	8.268	3.543	2.303	III	closed case, e.g. for front connectors, SUB-D-connectors, etc.	B 65 06 113	B 65 06 116
	8.268	3.543	2.303	IV	terminal blocks 0.197"/0.2" (32 terminals max., at the bottom only)	B 65 06 117	B 65 06 118
	8.268	3.543	2.303	V	perforation*2 for max. 64 terminal blocks or plug headers 4 x 8 poles and 4 x 7 poles	B 65 06 110	B 65 06 119
	8.268	3.543	2.303	VI	individual configuration see accessories (terminal guards / partition plate)	B 65 06 121	

## MAX. SIZE OF PCB



For enclosure RAILTEC B	Versions I - V (each 0.063" thick)			Version VI (each 0.063" thick)			C	E*3	F1*4	F2*4	F3*4
	A	E*3	F	A*3	B*3						
2 modules	1.157 x 3.228	1.634 x 2.228	1.634 x 1.220	1.157 x 3.228	1.240 x 2.449	1.236 x 1.642	2.461 x 1.591	1.280 x 1.594	1.280 x 1.398	1.280 x 0.709	
3 modules	—	—	—	1.839 x 3.228	1.929 x 2.449	1.921 x 1.642	2.461 x 1.591	1.969 x 1.594	1.969 x 1.398	1.969 x 0.709	
4 modules	2.520 x 3.228	1.634 x 2.228	1.634 x 2.618	2.520 x 3.228	2.618 x 2.449	2.610 x 1.642	2.461 x 1.591	2.657 x 1.594	2.657 x 1.398	2.657 x 0.709	
6 modules	3.906 x 3.244	1.634 x 2.228	1.634 x 3.976	3.906 x 3.244	3.996 x 2.449	3.988 x 1.642	2.461 x 1.591	4.035 x 1.594	4.035 x 1.398	4.035 x 0.709	
9 modules	5.953 x 3.244	1.634 x 2.228	1.634 x 6.024	5.953 x 3.244	6.063 x 2.449	6.055 x 1.642	2.461 x 1.591	6.102 x 1.594	6.102 x 1.398	6.102 x 0.709	
12 modules	8.039 x 3.228	1.634 x 2.228	1.634 x 8.169	8.039 x 3.228	8.130 x 2.449	8.122 x 1.642	2.461 x 1.591	8.169 x 1.594	8.169 x 1.398	8.169 x 0.709	

\*1 material: base parts PPO (UL 94 V-0), top parts PC (UL 94 V-0)

\*2 block 0.197"; the perforations can be separated quickly and easily

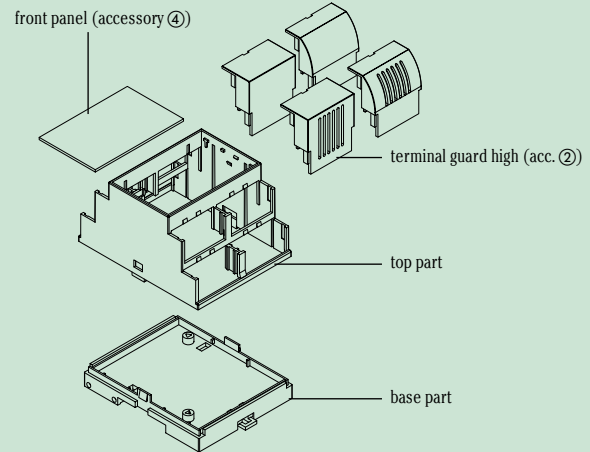
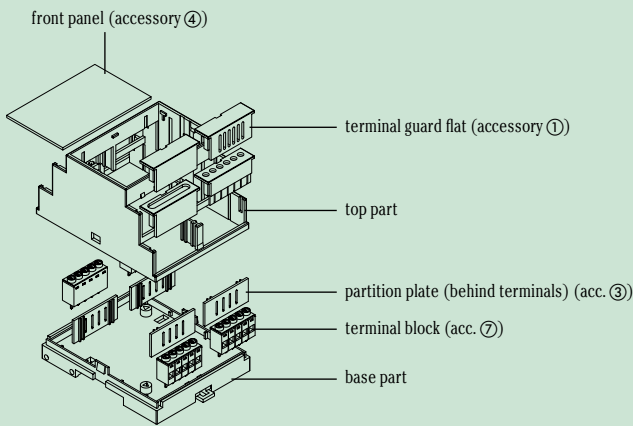
\*3 cutouts not taken into consideration

\*4 max. size of PCB

F1: without PCBs B and C; F2: without PCB B, with PCB C; F3: with PCBs B and C

**NEW PRODUCT**

## INDIVIDUAL CONFIGURATION VERSION VI



Make up your own individual RAILTEC B version VI online ([www.okw.com](http://www.okw.com)).  
Simply click on the desired case module and select the necessary articles using the configurator (eDrawing).

### ACCESSORIES

Part-No.	Article	Type	For enclosure	Version / Equipment	
			RAILTEC B (version VI)	Pole (max.)	
B 66 07 140	① Terminal guards flat	closed	2 / 4 modules (VI)	PC (UL 94 V-0), light gray, 1 pc	
B 66 08 140			3 / 6 / 9 / 12 modules (VI)	PC (UL 94 V-0), light gray, 1 pc	
B 66 07 141		with ventilation slots	2 / 4 modules (VI)	PC (UL 94 V-0), light gray, 1 pc	
B 66 08 141			3 / 6 / 9 / 12 modules (VI)	PC (UL 94 V-0), light gray, 1 pc	
B 66 07 142			2 / 4 modules (VI)	PC (UL 94 V-0), light gray, 1 pc	
B 66 08 142		for terminal blocks, block 5.0	3 / 6 / 9 / 12 modules (VI)	9	PC (UL 94 V-0), light gray, 1 pc
B 66 07 143			2 / 4 modules (VI)	6	PC (UL 94 V-0), light gray, 1 pc
B 66 08 143	perforated, block 5.0	3 / 6 / 9 / 12 modules (VI)	9	PC (UL 94 V-0), light gray, 1 pc	
B 66 07 160		closed	2 / 4 modules (VI)	–	PC (UL 94 V-0), light gray, 1 pc
B 66 08 160	3 / 6 / 9 / 12 modules (VI)		–	PC (UL 94 V-0), light gray, 1 pc	
B 66 07 161	with ventilation slots	2 / 4 modules (VI)	–	PC (UL 94 V-0), light gray, 1 pc	
B 66 08 161		3 / 6 / 9 / 12 modules (VI)	–	PC (UL 94 V-0), light gray, 1 pc	
B 66 07 162	convex, closed	2 / 4 modules (VI)	–	PC (UL 94 V-0), light gray, 1 pc	
B 66 08 162		3 / 6 / 9 / 12 modules (VI)	–	PC (UL 94 V-0), light gray, 1 pc	
B 66 07 163	8 pcs – 12 modules	convex, with ventilation slots	2 / 4 modules (VI)	–	PC (UL 94 V-0), light gray, 1 pc
B 66 08 163			3 / 6 / 9 / 12 modules (VI)	–	PC (UL 94 V-0), light gray, 1 pc
B 66 07 191	③ Partition plate	with ventilation slots	2 / 4 modules (VI)	PC (UL 94 V-0), light gray, 1 pc	
B 66 08 191			3 / 6 / 9 / 12 modules (VI)		

max. number each case:  
4 pcs – 2 / 3 modules  
8 pcs – 4 / 6 modules  
12 pcs – 9 modules  
16 pcs – 12 modules

max. number each case:  
2 pcs – 2 / 3 modules  
4 pcs – 4 / 6 modules  
6 pcs – 9 modules  
8 pcs – 12 modules

max. number each case:  
2 pcs – 2 / 3 modules;  
4 pcs – 4 / 6 modules;  
6 pcs – 9 mod.; 8 pcs – 12 mod.

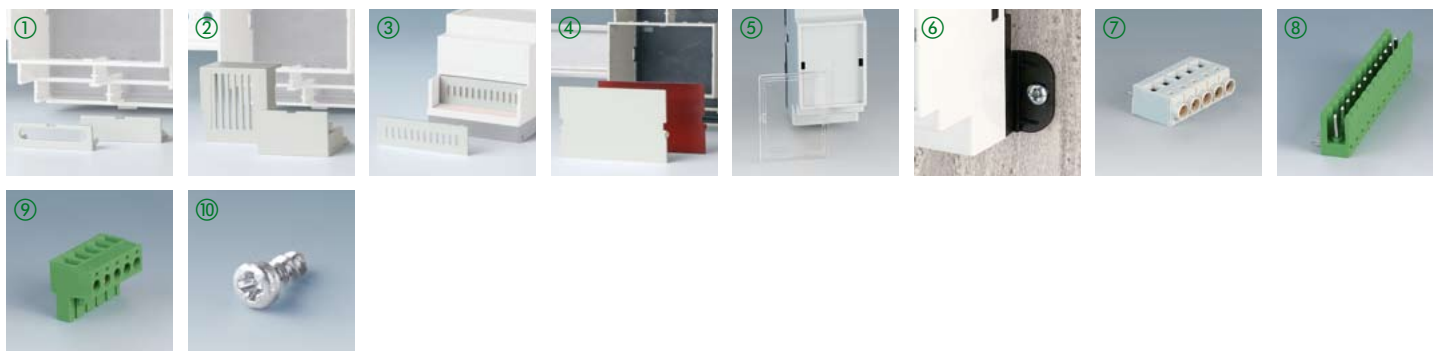
separates the electronic and terminal area when used without terminal guard (undermost level), connections externally accessible

Version (PC UL 94 V-0)			Article	For enclosure RAILTEC B (version VI)	Dim. in inches L x W
light gray	red transparent	smoked glass			
B 66 01 180	B 66 01 480	B 66 01 580	④ Front panel	2 modules (VI)	1.654 x 1.260
B 66 02 180	B 66 02 480	B 66 02 580		3 modules (VI)	1.654 x 1.929
B 66 03 180	B 66 03 480	B 66 03 580		4 modules (VI)	1.654 x 2.638
B 66 04 180	B 66 04 480	B 66 04 580		6 modules (VI)	1.654 x 4.016
B 66 05 180	B 66 05 480	B 66 05 580		9 modules (VI)	1.654 x 6.063
B 66 06 180	B 66 06 480	B 66 06 580		12 modules (VI)	1.654 x 8.110

Part-No.	Article	For enclosure RAILTEC B	Version
B 66 01 100	⑤ Lid	2 modules	PC (UL 94 V-0), transparent, 1 pc
B 66 02 100		3 modules	PC (UL 94 V-0), transparent, 1 pc
B 66 03 100		4 modules	PC (UL 94 V-0), transparent, 1 pc
B 66 04 100		6 modules	PC (UL 94 V-0), transparent, 1 pc
B 66 05 100		9 modules	PC (UL 94 V-0), transparent, 1 pc
B 66 06 100		12 modules	PC (UL 94 V-0), transparent, 1 pc
B 66 00 334	⑥ Wall suspension element	for all case sizes	plastic, black, set with 2 pcs

## ACCESSORIES

Article	Version / Application		Material	Part-No.	
	poles	max. cable ø			
⑦ Terminal block, block 0.197"	5	0.098"	PA 68 (UL 94 V-0)	B 66 01 111	
	6	0.098"	PA 68 (UL 94 V-0)	B 66 07 111	
	9	0.098"	PA 68 (UL 94 V-0)	B 66 08 111	
	12	0.098"	PA 68 (UL 94 V-0)	B 66 03 111	
	13	0.098"	PA 68 (UL 94 V-0)	B 66 05 111	
	16	0.098"	PA 68 (UL 94 V-0)	B 66 06 111	
	18	0.098"	PA 68 (UL 94 V-0)	B 66 04 111	
	36	0.098"	PA 68 (UL 94 V-0)	B 66 00 111	
	⑧ Plug header "PCB", block 0.2"	2	0.098"	PA 68 (UL 94 V-0)	B 66 06 222
		3	0.098"	PA 68 (UL 94 V-0)	B 66 00 222
5		0.098"	PA 68 (UL 94 V-0)	B 66 01 222	
6		0.098"	PA 68 (UL 94 V-0)	B 66 08 222	
9		0.098"	PA 68 (UL 94 V-0)	B 66 02 222	
12		0.098"	PA 68 (UL 94 V-0)	B 66 03 222	
13		0.098"	PA 68 (UL 94 V-0)	B 66 05 222	
15		0.098"	PA 68 (UL 94 V-0)	B 66 07 222	
18		0.098"	PA 68 (UL 94 V-0)	B 66 04 222	
⑨ Plug header "plug", block 0.2"		2	0.098"	PA 68 (UL 94 V-0)	B 66 06 223
	3	0.098"	PA 68 (UL 94 V-0)	B 66 00 223	
	5	0.098"	PA 68 (UL 94 V-0)	B 66 01 223	
	6	0.098"	PA 68 (UL 94 V-0)	B 66 08 223	
	9	0.098"	PA 68 (UL 94 V-0)	B 66 02 223	
	12	0.098"	PA 68 (UL 94 V-0)	B 66 03 223	
	13	0.098"	PA 68 (UL 94 V-0)	B 66 05 223	
	15	0.098"	PA 68 (UL 94 V-0)	B 66 07 223	
	18	0.098"	PA 68 (UL 94 V-0)	B 66 04 223	
	⑩ Self-tapping screw	1 x ø 0.098" x 0.236", for mounting PCB in the base part (position "A")			A 03 05 031



NEW PRODUCT